

Date:	
Type:	
Firm Name:	
Project:	



ALA-60-12-K

Everylite Datasheet Ver 3.0.0
Revision Date 08/2021



Description

ALA-60-12-K Class 2 LED power supply is a high efficiency power solutions for LED signage and other outdoor applications by featuring a wide input voltage range of 100-277VAC with PFC function, surge, over voltage, over current, over temperature and short circuit protections. With the highest waterproof grade of IP68, it is designed to work under a wide range of environmental conditions with multiple protection functions for wide operating temperatures between -40°F to +122°F.

Features

- 100-277VAC nominal input voltage
- IP68 plastic case with silicone encapsulated designed for indoor or outdoor applications, suitable for dry, damp and wet locations.
- Protections: Short circuit, over current, over voltage, over temperature with auto recovery
- Compliance to worldwide safety regulations for lighting: UL, CE, FCC
- 5 years product warranty



Specification

Output Characteristics	
Rated Output Voltage	12V
Rated Output Current	5A
Rated Output Power	60W
Output Voltage Accuracy	±5% (11.4-12.6V)
Output ripple & noise	400mVp-p

Environmental Characteristics	
Vibration	10-500HZ,5G, 12 min./1 cycle period for 72 min. (for X, Y, Z each axis)
IP Grade	IP68
Storage Humidity	10-95%RH
Storage Temperature	-40°F~+158°F
Working Humidity	20-95%RH (non-condensing)
Working Temperature	-40°F~+122°F

Safety and EMC		
Safety Standard	IP68 UL, FCC, CLASS II, RoHS	
Dielectric Strength (Hi-Pot)	I/P-O/P	3.75KVAC
	I/P-Case	2.0KVAC
Isolation Resistance	100MOhm Max/ 500VDC	
Grounding Resistance	100MOhm	
EMC	FCC part 15 class B	

Input Characteristics	
Input Voltage Range	100-277VAC
Input Frequency Range	50-60HZ
Input Current	0.97A @ 115V
	0.55A @ 230V
Inrush Current (cold start)	≤40A (230Vac)
Efficiency	≥87%

Protective Characteristics	
Over-Temperature Protection	Yes
Over-Voltage Protection	Yes
Short-Circuit Protection	Yes
Over-Current Protection	Yes

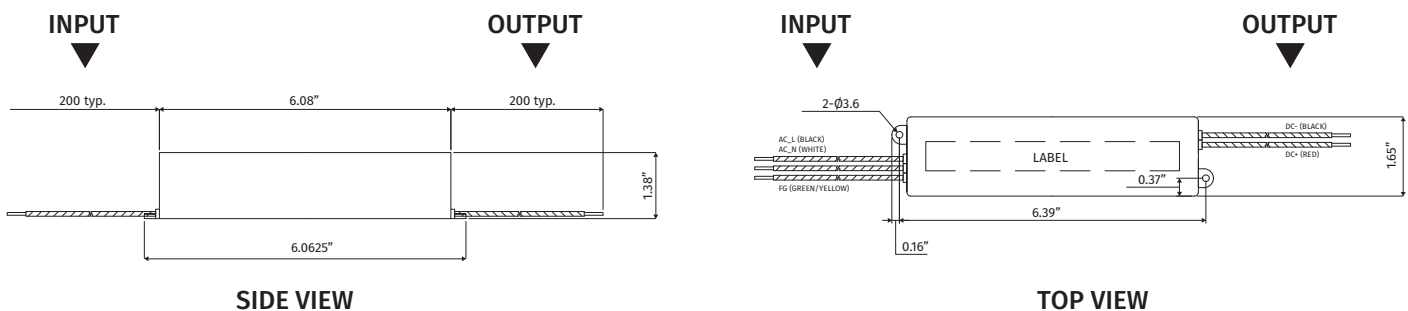
Other Characteristics	
Size	6.08"x1.65"x1.38"(L*W*H)
Weight	0.73 lbs

Notes

- All Parameters not specially mentioned are measured at 220VAC.
- Test environment temperature : 77°F
- Ripple & noise are measured at 20MHZ of bandwidth by using a 12" twisted pair-wire terminated with 0.1uF & 47uF parallel capacitor.
- The above data are typical values; the actual data of each single product could differ from the typical values.
- The data subject to change without prior notice.
- Please ensure that the ground wire is properly grounded and ensure it does not come into contact with the neutral wire.
- Please ensure the power supply position has sufficient airflow. Operating temperature must be between -40°F to +122°F.
- Power supply operates at high temperature. To avoid injury, do not touch while in use.
- Do not install with power connected or during an electrical disturbance.
- To be installed by a certified electrician. Please contact the supplier with any questions.

Drawing

Unit: inches



Label Drawing

<p>100-277V 50/60Hz</p> <p>AC-input</p> <p>○—FG yellow-green</p> <p>○—L black</p> <p>○—N white</p>	<p>EVERYLITE®</p> <p>ALA-60-12-K</p> <p>LED Driver: For LED Only</p> <p>SELV RoHS IP68</p>	<p>UL US E364597</p>  <p>ALA-60-12-K</p>	<p>Class 2 Power Outputs</p> <table border="1"> <tr><td>Efficiency</td><td>87%</td></tr> <tr><td>TA</td><td>-40-50°C</td></tr> <tr><td>TC</td><td>158°F</td></tr> <tr><td>Output Voltage</td><td>12V</td></tr> <tr><td>Output Power</td><td>60W</td></tr> <tr><td>PF</td><td>0.6 max</td></tr> </table>	Efficiency	87%	TA	-40-50°C	TC	158°F	Output Voltage	12V	Output Power	60W	PF	0.6 max	<p>1-888-567-4533 www.everylite.com Made in Korea</p> <p>Constant Voltage Class 2 Power Supply • Suitable for Dry, Damp and Wet Locations</p> <p>DC-output</p> <p>+ —○ red</p> <p>- —○ black</p>
Efficiency	87%															
TA	-40-50°C															
TC	158°F															
Output Voltage	12V															
Output Power	60W															
PF	0.6 max															